

Wireless hand-held terminal



DF-TV7-T MULTI-SPECTRUM IR FLAME DETECTOR

The MultiFlame DF-TV7-T is a multi-spectrum infrared flame detector using three wavelengths. The MultiFlame DF-TV7-T responds to hydrocarbon fires and is the right choice for operation in dirty environments or for detection of smoky fires.

The Multi Flame DF-TV7-T is designed to respond to unwanted hydrocarbon fires, whilst maintaining a high degree of false alarm immunity.

The device offers a wide range of output options, as standard and is certified for use in SIL 3 applications. The unit may be interfaced directly with a wide range of fire panels, controllers and PLC's etc.

The unit is fully configurable using a wireless hand-held terminal (TLU600) or optionally via HART (TM) giving true flexibility to the installer. Time delays, sensitivity and output configuration are all set up via the TLU; a hazardous area approved hand-held unit. Wireless testing of the optical and output circuits are also possible using the TLU for a guaranteed ease of maintenance.

FEATURES:

- Continuous auto-check of optical lens
- Long range up to 80m, 260 ft deep
- Relays, 4-20mA, 0-22mA, Hart outputs
- Wide field of view 120°

DF-TV7-T MULTI-SPECTRUM IR FLAME DETECTOR

TECHNICAL DATA

General

Technology Technology Multi-spectrum Infrared, 3IR

Fire Types Hydrocarbon fires

Range, n-heptane 80m (260ft) 0.3x0.3m (1 sq ft)

Range, gasoline 65m (210ft) 0.3x0.3m (1 sq ft)

Maximum horizontal angle 120°

Field of view Horizontal angle@ 50% 104°

Vertical angle@ 50% 82°

Response time Adjustable from 3 to 20 seconds (typical 6s.)

Warranty 3 years, back to factory

Output signal

4-20mA or 0-22mA (configurable by the user)

max. load impedance 700M (Std.)

Output signal

HART Protocol 7th edition (option) Lonworks for Syntel (option)

Alarms 2 x configurable Relays max 1 A/ 30Vcc

Visual Normal Operating, alarm, fault

Electrical

Power supply 24 Vdc, range (18 - 28 Vdc)

Power consumption 2W normal; 4W during test

Connection 0.3 mm² (22AWG) - 1.5 mm² (16AWG)
Shielded cable recommended

Environmental

Storage: -40°C to +70°C (-40°F to 158°F)

Operation -40°C to +65°C (-40°F to 149°F)

Option Sunshade, max. temp. 85°C (185°F)

Humidity 99% RH (non-condensing)

Ingress IP66

RFI /EMI Complies with EN50130-4

Explosion proof housing

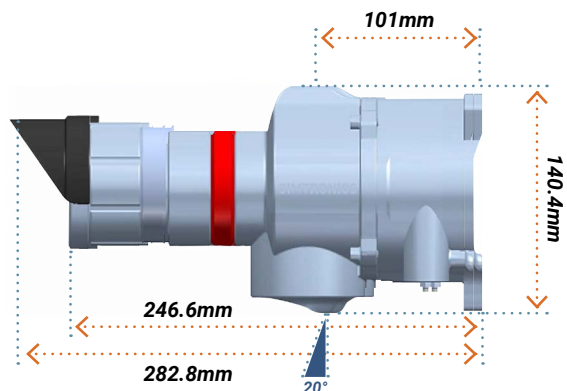
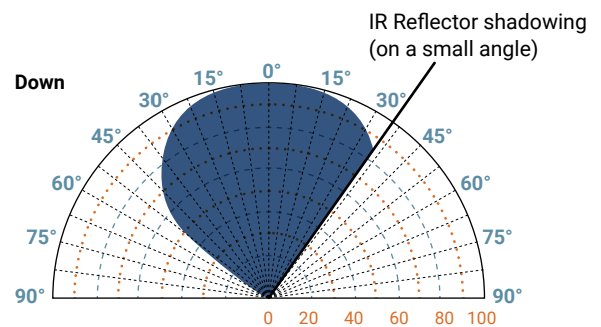
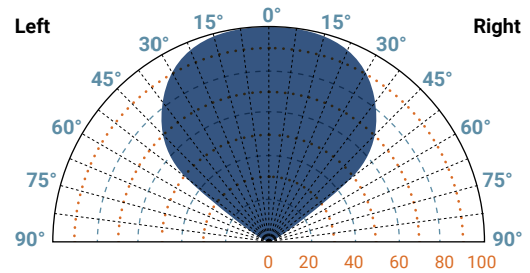
TLU600 316L Stainless Steel

Weight 5kg (10LBS)

Dimensions 246.8 x 140.4 x 115 mm (L, H, W)

APPROVALS

- **SIL:** SIL3 without redundancy according to IEC 61508-1 to 7
- **ATEX:** II 2 G Ex d IIC T6 Gb (de -40°C a +65°C)
- **IECEX:** IEC 60079-0 / IEC 60079-1
- **CE DPC:** According to EN 54-10:2002 +AI 200



ACCESSORIES

- **TLU600:** Infrared remote control unit, ATEX certified: II 1 G Ex ia IIC T4
- **LT15:** Test lamp, ATEX certified: II 2 G Ex d IIC T6-T5
- **AS048-X:** 55316 swivel bracket (with 2" or 2.5" pipe mounting)
- **AS056-450:** Sun shade
- **AS040:** Long type visor (vertical upper angle reduction)
- **AS041:** Long type visor (horizontal and vertical angle reduction)
- **AS045:** Air shield
- **AS215:** Tag plate