

HIKVISION®

DS-2TP31-3AUF

Handheld Thermography Camera

DeepinView^{series}

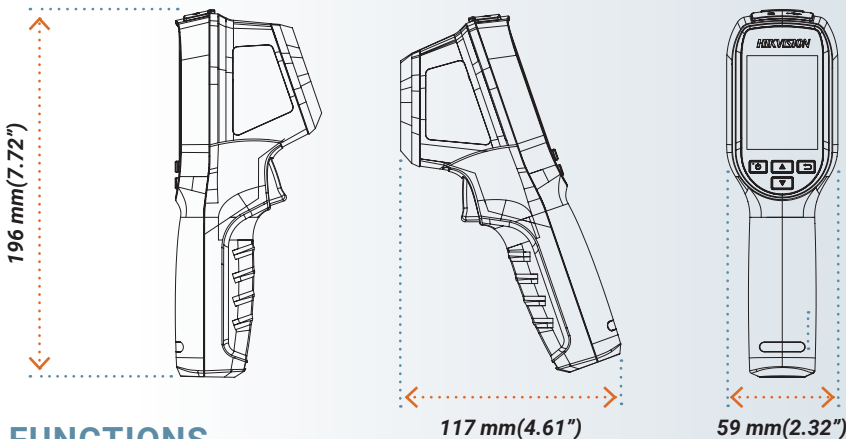


The Hikvision handheld thermography camera, equipped with a 160×120 resolution thermal detector, is specially designed for temperature measurement applications in transformer substations. It helps staff to quickly find the fault by means of accurate temperature measurement of high temperature targets in the environment. Whilst providing instant decision-making, it also ensures personnel safety. The device is ideal for application in various industries, such as building and construction, HVAC (heating, ventilation and air conditioning) and the automobile industry, etc.

KEY FEATURES

- 160 × 120 resolution
- 320 × 240 resolution 2.4" LCD display
- Built-in rechargeable Li-ion battery
- Up to 8 hours continuous running
- Thermometry D:S = 75:1, a circular target with a diameter of 1 cm can be measured accurately within a distance of 75 cm

DIMENSIONS :



FUNCTIONS

Thermography

Device detects the real-time temperature, and displays it on the screen.

Storage

Device is equipped with replaceable memory card to store recorded captured snapshots and important data.

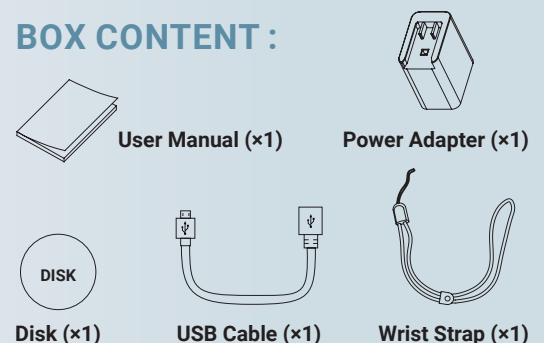
Palette

Device supports 4 palettes.

Laser Light Supplement

Long-distance laser light supplement to point the thermography target.

BOX CONTENT :



DS-2TP31-3AUF

Handheld Thermography Camera

SPECIFICATIONS:

THERMAL MODULE

Image Sensor	Uncooled Focal Plane Arrays
Max. Resolution	160 × 120
Pixel Pitch	17 μm
Response Waveband	8 μm to 14 μm
NETD (Noise Equivalent Temperature Difference)	< 40mK (@ 25 °C, F#=1.0)
Field of View	37.2° × 50°
Focal length	3.1 mm
IFOV (mrad)	5.48 mrad
Min. Focus Length	≥ 150 mm
Aperture	F 1.1

IMAGE DISPLAY

Monitor	320 × 240 resolution 2.4" LCD display
Palettes	Black hot, White hot, Rainbow, Ironbow

THERMOGRAPHY

Rules	3 thermometry points: Max. Temperature; Min. Temperature; Center Temperature
Thermographic Range	-20 °C to 550 °C (-4 °F to 1022 °F)
Thermographic Accuracy	Max (±2 °C, ±2%)
Thermometry Distance	D:S = 75:1

BATTERY

Battery Type	Rechargeable Lithium Battery
Battery Operating Time	8 hours continuous running

FUNCTIONS

Laser Light	Support (Point to the thermography target)
Storage	Replaceable memory card (default 8G, support up to 128G storage)
Photo	Thermal image
Video	N.A.
Language	English

GENERAL

Power	3.7 V DC/0.4 A
Power Consumption	Less than 1.2 W
Hardware Interface	micro USB
Working Temperature	-10 °C to 50 °C (14 °F to 122 °F)
Protection level	IP54
Drop Test Height	2 m (6.56 feet)
Dimension	196 mm × 117 mm × 59 mm (7.7 " × 4.6 " × 2.3 ")
Weight	Approx. less than 350 g (0.77 lb)
Accessory	Power Adaptor, USB cable, 8GB memory card, User manual, Disk, Wrist Strap