

HIKVISION®

sperosens
safety through innovation

DS-2TP21B-6AVF/W

Body Temperature Handheld Measurement Camera

DeepinView^{series}

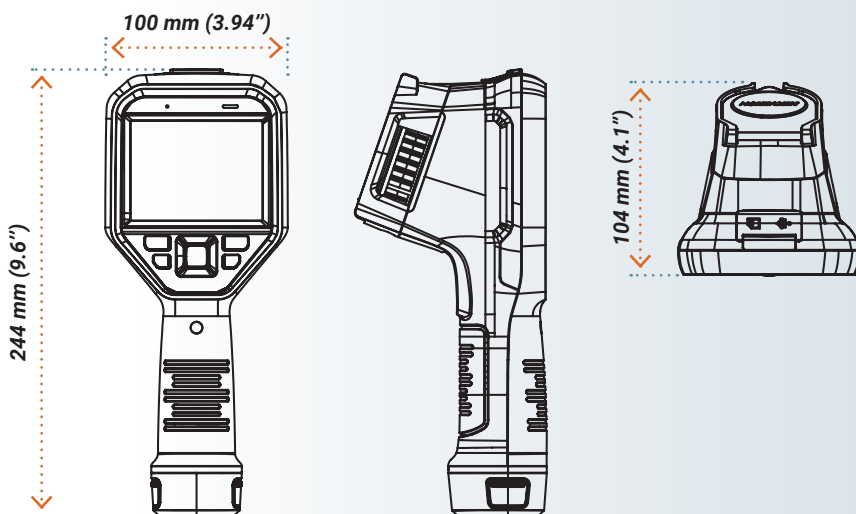


Hikvision's DS-2TP21B-6AVF/W handheld thermal camera is designed for quick and easy body temperature measurement. Equipped with a 160×120 resolution thermal detector, it can detect and track people with a higher than normal body temperature in a crowded public space. As such, it is ideal for use in areas such as customs and immigration, airports, schools and hospitals for screening and quarantine.

KEY FEATURES

- 160 × 120 resolution (thermal), and 8 MP resolution (optical)
- Thermographic accuracy up to ± 0.5 °C
- Displays fusion of thermal and optical views
- 640 × 480 resolution 3.5" LCD touch display
- Supports live view on PC, mobile device or external monitor
- Supports audio intercom
- Supports colour highlight alarm and audio alarm

DIMENSIONS:



SPECIFICATIONS:

THERMAL MODULE

Image Sensor	Uncooled Focal Plane Arrays
Resolution	25 Hz: 160 × 120
Pixel Pitch	17 μm
Response Waveband	8 μm to 14 μm
NETD	< 40 mk (@ 25 °C, F#=1.0)
Field of View	25° × 18.7°
Focal length	6.2 mm (Manual focus)
IFOV	2.74 mrad
Aperture	F 1.1

OPTICAL MODULE

Picture Resolution	Configurable: 2 MP, 5 MP, 8 MP
Video Resolution	640 × 480
Monitor	640 × 480 resolution 3.5" LCD touch display
Palettes	Black hot, White hot, Red hot, Rainbow, Ironbow, Fusion, Rain
Digital Zoom	Thermal: 1×, 2×, 4×

IMAGE DISPLAY

Thermal / Optical	Thermal/Optical/Fusion image/Picture in picture
Picture in Picture	Support Thermal View in Optical View
Fusion	Support (Thermal View and Optical View Combined)
Record Video	Support on-board video recording

THERMOGRAPHY

Rules	Max. Temperature; Min. Temperature; Center Temperature; Custom Point/Line/Area Thermography
Range	30 °C to 45 °C
Accuracy	±0.5 °C

BATTERY

Battery Operating Time	5 hours in normal temperature, with Wi-Fi, Bluetooth, and supplement light off. 4 hours in normal temperature, with Wi-Fi, Bluetooth, and supplement light on.
Storage	Built-in memory module (16 G)
Photo	Thermal/Optical/Fusion image
Video	Thermal/Optical/Fusion image
Wi-Fi	Support
Text Comment	Support
Voice Comment	Support
Language	English

GENERAL

Power	5 VDC/2 A
Power Consumption	Max. 4.5 W
Hardware Interface	Type-C Interface
Working Temperature	15 °C to 35 °C
Protection level	IP54
Drop Test Height	2 m (6.56 feet)
Dimension	244 mm × 100 mm × 104 mm (9.6" × 3.9" × 4.1")
Weight	With Battery: 653 g (1.44 lb) Without Battery: 511 g (1.13 lb)