

HIKVISION



DS-2TD1217B-3/PA

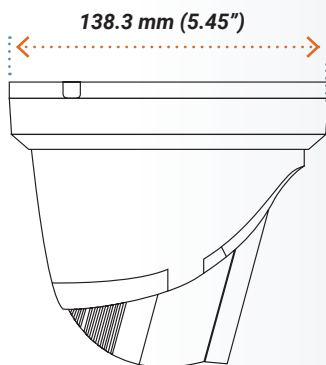
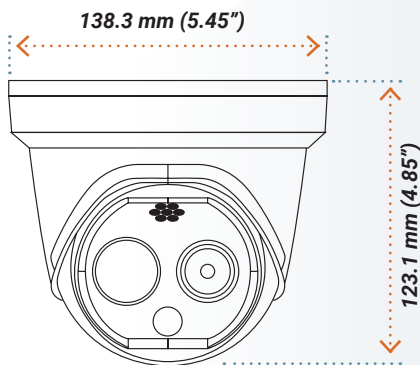
Thermographic Turret Body Temperature Measurement Camera

DeepinView^{series}



The Hikvision DS-2TD1217B Thermographic Turret Body Temperature Measurement Camera is able to accurately measure an object's temperature in real time. It can detect and track people displaying a higher than normal body temperature in a crowded public space. As such, it is ideal for use in areas such as customs and immigration, airports, schools and hospitals for screening and quarantine, if necessary.

DIMENSIONS



KEY FEATURES

- High sensitivity sensor with 160 × 120 resolution in the thermal channel
- Temperature range: 30 °C to 45 °C; temperature accuracy: ±0.5 °C
- Reliable temperature exception alarm function
- 3D DNR and image detail enhancement
- Audio alarm

DS-2TD1217B-3/PA

Thermographic Turret Body Temperature Measurement Camera

SPECIFICATIONS

THERMAL MODULE

Image Sensor	Vanadium Oxide Uncooled Focal Plane Arrays
Max. Resolution	160 × 120 (the resolution of output image is 320 × 240)
Pixel Interval	17 μm
Response Waveband	8 μm to 14 μm
NETD (Noise Equivalent Temperature Difference)	Less than 40 mK (25 °C), F# = 1.1
Lens (Focal Length)	3,1 mm
IFOV	5,48 mrad
Field of View	50° × 37.2° (H × V)
Min. Focusing Distance	0.2 m
Aperture	F1.1

OPTICAL MODULE

Max. Image Resolution	2688 × 1520
Image Sensor	1/2.7" Progressive Scan CMOS
Min. Illumination	Colour: 0.0089 Lux @ (F1.6, AGC ON), B/W: 0.0018 Lux @ (F1.6, AGC ON)
Shutter Speed	1s to 1/100,000s
Lens (Focal Length)	4 mm
Field of View	84° × 44.8°(H × V)
WDR	120 dB
Day & Night	IR cut filter with auto switch

IMAGE FUNCTION

Bi-spectrum Image Fusion	Fusion view of thermal view and overlaid details of the optical channel
Picture in Picture	Combines details of thermal and optical image PIP, overlay thermal image on optical image

SMART FUNCTION

Temperature Measurement	3 temperature measurement rule types, 21 rules (10 points, 10 areas, and 1 line).
Temperature Range	30 °C to +45 °C
Temperature Accuracy	± 0,5 °C

INFRARED

IR Distance	Up to 15 m
IR Intensity and Angle	Automatically adjusted

DS-2TD1217B-3/PA

Thermographic Turret Body Temperature Measurement Camera

NETWORK

Main Stream	Visible Light: 50 Hz: 25 fps (2688 × 1520), 25 fps (1920 × 1080), 25 fps (1280 × 720) 60 Hz: 30 fps (2688 × 1520), 30 fps (1920 × 1080), 30 fps (1280 × 720) Thermal: 1280 × 720, 704 × 576, 640 × 480, 352 × 288, 320 × 240
Sub-stream	Visible Light: 50 Hz: 25 fps (704 × 576), 25 fps (352 × 288), 25 fps (176 × 144) 60 Hz: 30 fps (704 × 480), 30 fps (352 × 240), 30 fps (176 × 120) Thermal: 704 × 576, 352 × 288, 320 × 240
Video Compression	H.265/H.264/MJPEG
Audio Compression	G.711u/G.711a/G.722.1/MP2L2/G.726/PCM
Protocols	TCP/IP, ICMP, HTTP, HTTPS, FTP, DHCP, DNS, DDNS, RTP, RTSP, RTCP, PPPoE, NTP, UPnP, SMTP, SNMP, IGMP, 802.1X, QoS, IPv6, UDP, Bonjour
Simultaneous Live View	Up to 20
User/Host Level	Up to 32 users, 3 levels: Administrator, Operator, User
Security Measures	User authentication (ID and PW), MAC address binding, HTTPS encryption, IEEE 802.1x access control, IP address filtering

INTEGRATION

Alarm Input	1-ch inputs (0-5 VDC)
Alarm Output	1-ch relay outputs, alarm response actions configurable
Alarm Action	SD recording/relay output/smart capture/FTP upload/email linkage/ audio alarm/white light alarm
Audio Input	1x 3.5 mm Mic in/Line in interface. Line input: 2 - 2.4 V [p-p], Output impedance: 1 K Ω \pm 10%
Audio Output	Linear level; impedance: 600 Ω
Reset	1x Reset Button
Communication Interface	1x RJ45 10M/100M Self-adaptive Ethernet interface. 1x RS-485 interface
SD Memory Card	1x Built-in MicroSD card slot, supporting MicroSD/SDHC/SDXC card (up to 256 G), supports manual/alarm recording
Application Programming	Open-ended API, supporting ISAPI, HIKVISION SDK, and third-party management platform
Client	iVMS-4200, Hik-Connect
Web Browser	IE9+, chrome31-44, Firefox 30-51, Safari 5.02+ (mac)

GENERAL

Menu Language	32 languages <i>English, Russian, Estonian, Bulgarian, Hungarian, Greek, German, Italian, Czech, Slovak, French, Polish, Dutch, Portuguese, Spanish, Romanian, Danish, Swedish, Norwegian, Finnish, Croatian, Slovenian, Serbian, Turkish, Korean, Traditional Chinese, Thai, Vietnamese, Japanese, Latvian, Lithuanian, Portuguese (Brazil)</i>
Power	12 VDC \pm 20%, two-core terminal block, PoE (802.3af, class 3)
Power Consumption	12 VDC \pm 20%: 0.5 A, max. 6 W PoE (802.3af, class 3): 42.5 V to 57 V, 0.14 A to 0.22 A, max. 6.5 W
Working Temperature/ Humidity	Temperature: 10 °C to 35 °C (<i>Indoor and windless environment use only</i>) Humidity: 95% or less
Protection Level	IP66 Standard, TVS 6000 V Lightning protection, surge protection, voltage transient protection
Dimensions	138.3 mm × 138.3 mm × 123.1 mm (5.45" × 5.45" × 4.85")
Weight	940 g (2.07 lb)