

**HIKVISION®**



# ISD-SMG318LT-F

## Temperature Measurement Walk-Through Detector

DeepinView<sup>series</sup>

The Hikvision ISD-SMG318LT-F walk-through metal detector is a non-contact temperature measurement device, using thermal imagery technology. The face detection function of the camera allows for an accurate positioning of the measurement. The detector also supports metal detection.

It is suitable for safety inspection of dangerous goods and is widely used at important public events. It is recommended to be used indoors in a windless environment.

### KEY FEATURES:

- Non-contact temperature measurement: face temperature measurement with accurate personnel matching.  
Temperature accuracy:  $\pm 0.5$  °C, detection distance: 0.3 to 3 m, target height: 1.45 m to 1.85 m
- Temperature filtering: adjustable temperature threshold.  
An over-threshold temperature will trigger the audible alarm strobe light
- Counting display: indicates the number of walk-through people, metal alarm times, real-time temperature, number of people with abnormal temperature
- **Metal detection:** all metal objects as small as a paperclip
- **Multi-area alarm:** indicates the metal position on the body (max. 18 areas)
- **Modular component:** easy transmission and installation

### FUNCTIONS:

#### THERMAL IMAGING FUNCTIONS

- Uncooled sensor, resolution: 160 x 120
- Supports AGC4.0, DDE, and 3D DNR
- Supports dual-light fusion image
- Supports visible light and thermal imaging frame overlay
- 15 pseudo colours: white, black, red, etc.



# ISD-SMG318LT-F

## Temperature Measurement Walk-Through Detector

### THERMAL IMAGING FEATURES:

#### SMART FUNCTIONS

- Temperature exception detection function
- Linkage for audible alarm
- Linkage of white strobe light alarm

#### SYSTEM FUNCTIONS

- Dual-channel, single IP
- Dual-streaming
- PoE power supply
- IP66 protective level
- Operation temperature: 5 °C to 40 °C, <95% RH

#### INTERFACES

- 10M/100M self-adapting network interface
- Slot for Micro SD/Micro SDHC/Micro SDXC card (128G/256G)
- 1-ch alarm input/output
- 1-ch audio input/output
- 1-ch 12 V DC power input

#### VISIBLE LIGHT FUNCTIONS

- 4 MP, 1/2.7" CMOS,  
Max. Resolution: 2688×1520@25 fps
- Supports low bit rate, low latency and ROI
- Independent settings for day or night condition

#### SECURITY

- Security verification, such as HTTPS, supports license creating
- Three level of users, IP address filtering, user and password authentication

### SPECIFICATIONS:

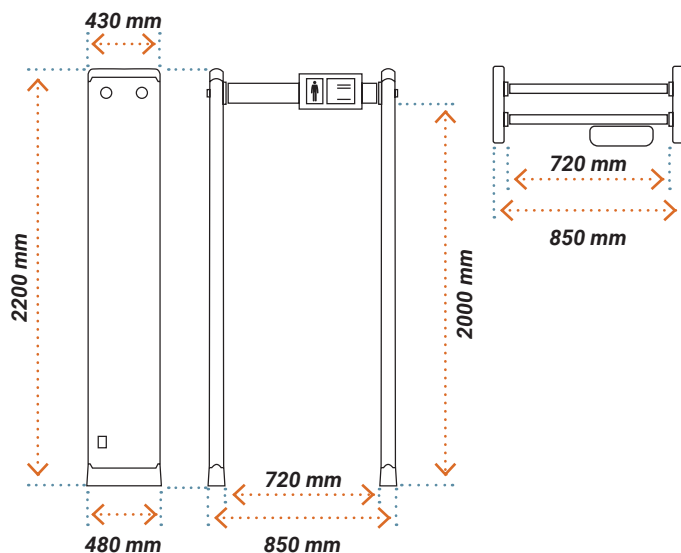
#### THERMAL IMAGING

Image Sensor	Vanadium oxide uncooled sensor
Max. Resolution	160 × 120
Pixel Interval	17 μm

### METAL DETECTION FEATURES:

- **Detection Accuracy:** metal down to size of a paperclip (or smaller) is detectable . Goods like a belt buckle can be excluded. Copper, aluminium, and zinc (over 150 g), knives and guns are detectable
- **Anti-interference:** multiple detectors can work abreast at the same time
- **Multi-area alarm:** indicates the metal position on the body (max. 18 areas)
- **Frequency settings:** 100 frequencies and different ring tones for each frequency
- **Sensitivity settings:** 255 level of sensitivity can be set
- **People counting:** displays the number of walk-through people and people in alarm
- **Positioning LED:** LEDs on the sides of the detector for indicating the position of the prohibited goods
- LCD screen
- Storing sensitivity parameters for different scenes for shortcut settings
- **Material:** PVC shell

### DIMENSIONS:



# ISD-SMG318LT-F

## Temperature Measurement Walk-Through Detector

### THERMAL IMAGING

Response Waveband	8 to 14 $\mu\text{m}$
NETD (Noise Equivalent Temperature Difference)	$\leq 40 \text{ mk} (@25^\circ\text{C}, F\#=1.0)$
Lens (Focal Length)	3 mm
MRAD	9.44
Field of View	$50^\circ\text{C} \times 37.2^\circ\text{C}$
Min. Focusing Distance	0.3 m
Aperture	F1.1
Pseudo Color	15, white heat, black heat, fusion1, rainbow, fusion2, iron oxide red1, iron oxide red2, puce, color1, color2, ice & fire, rain, red heat, green heat, and dark blue

### VISIBLE LIGHT

Sensor	400 MP 1/2.7" Progressive Scan CMOS
Resolution	2688x1520@25 fps
Min. Luminance	0.0018Lux @(F1.6,AGC ON), 0 Lux with IR
Shutter speed	1/3s to 1/100,000s
Focal length	4 mm
Field angle	$84.0^\circ \times 44.8^\circ$
Day/Night switch	ICR
WDR range	120 dB
IR distance	Max. 15 m

### IMAGE FRAME

Thermal imaging and visible light	Thermal imaging integrated with visible light frame
Picture in picture	Supports visible light and thermal imaging frame over lay
Smart information overlay	Support (only temperature measurement rule and temperature are supported)

### SMART FUNCTION

Linkage alarm	Linkage of strobe light and audible alarm
---------------	---

# ISD-SMG318LT-F

## Temperature Measurement Walk-Through Detector

### TEMPERATURE MEASUREMENT

Thermal imaging and visible light	Linkage of strobe light and audible alarm
Picture in picture	<b>Expert mode:</b> 10 pints, 10 frame, 21 rules on each line
Body temperature measurement	AI face detection, multi-target detection
Measurement range	30° to 45°
Temperature Alarm	Alarm triggered when the temperature is over the threshold
Measurement accuracy	<b>No black body:</b> ±0.5 °C <b>With black body:</b> ±0.3 °C

### COMPRESSION

Video compression	H.265/H.264/MJPEG
H265	Main Profile
H264	Baseline Profile / Main Profile / High Profile
Video bit rate	32 Kbps to 8 Mbps
Video standard	G.711/G.722.1/G.726/MP2L2/PCM
Audio bit rate	64Kbps(G.711) / 16Kbps(G.722.1) / 16Kbps(G.726) / 32-192Kbps(MP2L2)

### STORAGE

SD card storage	Micro SD/Micro SDHC/Micro SDXC card (128GB or 256GB)
NVR storage	(96/86/77/76) I series NVR Supports live view/playback, rule display, alarm report, and remote configuration

### NETWORK

Main Stream	<b>Visible light:</b> 50 Hz: 25 fps (1920 × 1080), 25 fps (1280 × 960), 25 fps (1280 × 720) 60 Hz: 30 fps (1920 × 1080), 30 fps (1280 × 960), 30 fps (1280 × 720) <b>Thermal Imaging:</b> 225 fps (160 × 120 (output 320 × 240))
Sub-stream	<b>Visible light:</b> 50 Hz: 25 fps (704 × 576), 25 fps (640 × 480) 60 Hz: 30 fps (704 × 480), 30 fps (640 × 480) <b>Thermal Imaging:</b> 25 fps (160 × 120 (output 320 × 240))
Network protocol	IPv4/IPv6,HTTP,HTTPS,802.1x,Qos,FTP,SMTP,UPnP,SNMP,DNS,DDNS,NT PRTSPRT-CP,RTP,TCP,UDP,IGMP,ICMP,DHCP,PPPoE,Bonjour
Interface protocol	ONVIF(PROFILE S,PROFILE G),ISAPI,SDK,Ehome,GB28181
Max. live view channel number	20
User	<b>Three level:</b> administrator, operator, general user
Safety strategy	User and password authentication, HTTPS encryption, IEEE 802.1x control, IP address filtering

# ISD-SMG318LT-F

## Temperature Measurement Walk-Through Detector

### INTERFACE

Alarm Input	1, 0 to 5 V alarm input
Alarm Output	1, NO relay output, alarm type configurable
Audio input	1, 3.5 mm Mic in/Line in interface. Line input: 2-2.4 V[p-p]
Audio output	1, 600 $\Omega$
Reset button	1
Network interface	1x RJ45 10/100M self-adaption
RS-485 interface	1
SD card slot	1
Client	iVMS-4200/HIK-CONNCECT
Browser	IE7+, Chrome18+, Firefox5.0+, Safari5.02+

### GENERAL

Power Supply	220 V
Power Consumption	<25 W
Operation Temperature and Humidity	<b>Speed dome:</b> 5 °C to 40 °C, <95% RH <b>Walk-through detector:</b> -20 °C to 85 °C, 99%, RH
Protection Level	<b>Dome camera:</b> IP66 <b>Walk-through detector:</b> IP53

### DIMENSION

Detector dimension (without dome camera)	2200 x 850 x 480mm (H x W x D)
Dome camera dimension	138.3 mm x 138.3 mm x 123.1 mm (H x W x D)
Package dimension	2270 x 700 x 230 mm (H x W x D)

### WEIGHT

Net weight	About 75 kg
------------	-------------