

HIKVISION



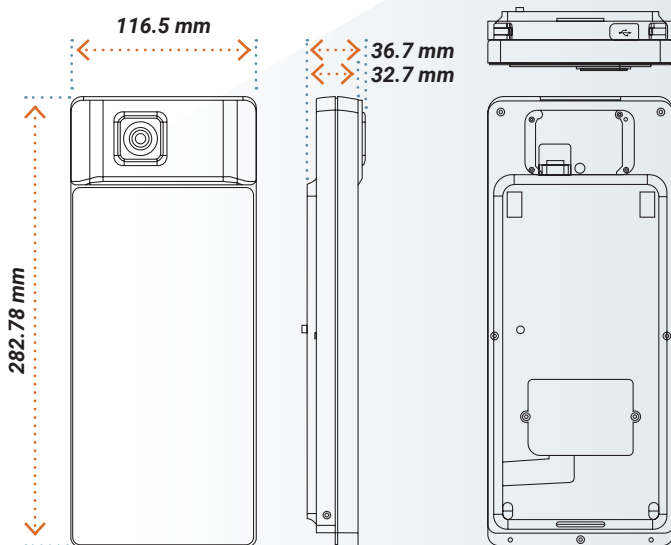
DS-K1T671TM-3XF

Face Recognition Terminal

DeepinView^{series}

The Hikvision DS-K1T671TM-3XF face recognition terminal is an access control device integrated with a temperature screening function. Taking a quick skin-surface temperature measurement, it can upload any abnormal temperature event to the control centre for immediate action. It is ideally suited to a variety of installations, including at business enterprises, railway stations, factories, schools and private dwellings.

DIMENSIONS



ACCESSORY

DS-KAB671-B



KEY FEATURES

- Supports Vanadium Oxide uncooled sensor for temperature measurement
- Temperature measuring range: 30 °C to 45 °C (86 °F to 113 °F), accuracy: ± 0.5 °C
- **Recognition distance:** 0.5 to 1.5 m
- Fast temperature measurement mode: Detects face and takes temperature without identity authentication

DS-K1T671TM-3XF

Face Recognition Terminal

KEY FEATURES

- Multiple authentication modes available: card and temperature, face and temperature, card and face and temperature, etc.
- **Face mask wearing alert:** If the recognising face does not wear a mask, the device will prompt a voice reminder, validating the authentication or attendance
- **Forced mask wearing alert:** If the recognising face does not wear a mask, the device will prompt a voice reminder, simultaneously failing the authentication or attendance
- Displays temperature measurement results on the authentication page
- Triggers voice prompt when detecting abnormal temperature
- Configurable door status (open/close) when detecting abnormal temperature
- Transmits online and offline temperature information to the client software via TCP/IP communication and saves the data on the client software
- Face recognition duration < 0.2s/User; face recognition accuracy rate $\geq 99\%$
- 50,000 face capacity, 50,000 card capacity, and 100,000 event capacity
- Suggested height for face recognition: between 1.4 m and 1.9 m
- Supports 6 attendance status variants, including check-in, check-out, break-in, break-out, overtime in, overtime out
- Connects to external access controller or Wiegand card reader via Wiegand protocol
- Connects to secure door control unit via RS-485 protocol to avoid door opening when the terminal is destroyed

* Biometric recognition products are not 100% applicable to anti-spoofing environments. If a higher security level is required, use multiple authentication modes

* In order to get an accurate temperature after the device is powered on, wait for 90 min to warm up the device.

SPECIFICATIONS:

THERMAL MEASUREMENT

Temperature range	30 °C to 45 °C (86 °F to 113 °F)
Sensor	Vanadium Oxide uncooled sensor
Resolution	120 × 160
Frame rate	25 fps
Accuracy	± 0.5 °C, without black body calibration
Measuring distance	0.5 to 1.5 m

DS-K1T671TM-3XF

Face Recognition Terminal

SCREEN

Size	7-inch
Type	Touch screen
Operation method	Touch screen

CAMERA

Pixel	2 MP
Lens	Dual-lens

NETWORK

Wired network	Support, 10/100/1000 Mbps self-adaptive
---------------	---

INTERFACE

Network interface	1
Lock output	1
Exit button	1
Door contact input	1

AUTHENTICATION

Card type	Mifare 1 card
-----------	---------------

FUNCTION

Face anti-spoofing	Support
Audio prompt	Support

GENERAL

Working temperature	0 °C to 50 °C (32 °F to 122 °F) For temperature measurement: 10 °C to 35 °C (50 °F to 95 °F)
Working humidity	10 to 90% (No condensing)
Application environment	Indoor